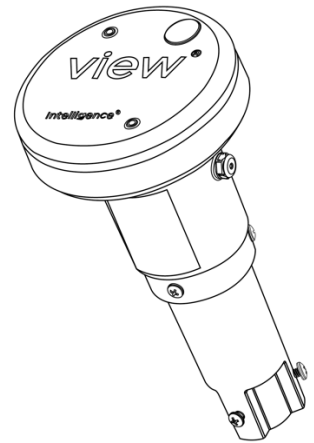


Sky Sensor 2

The roof-mounted Sky Sensor provides external light level data and infrared temperature data to the View Smart Glass system to allow optimization of tint levels for each Smart Glass zone. The assembly includes the Sky Sensor and a mounting kit.

Features

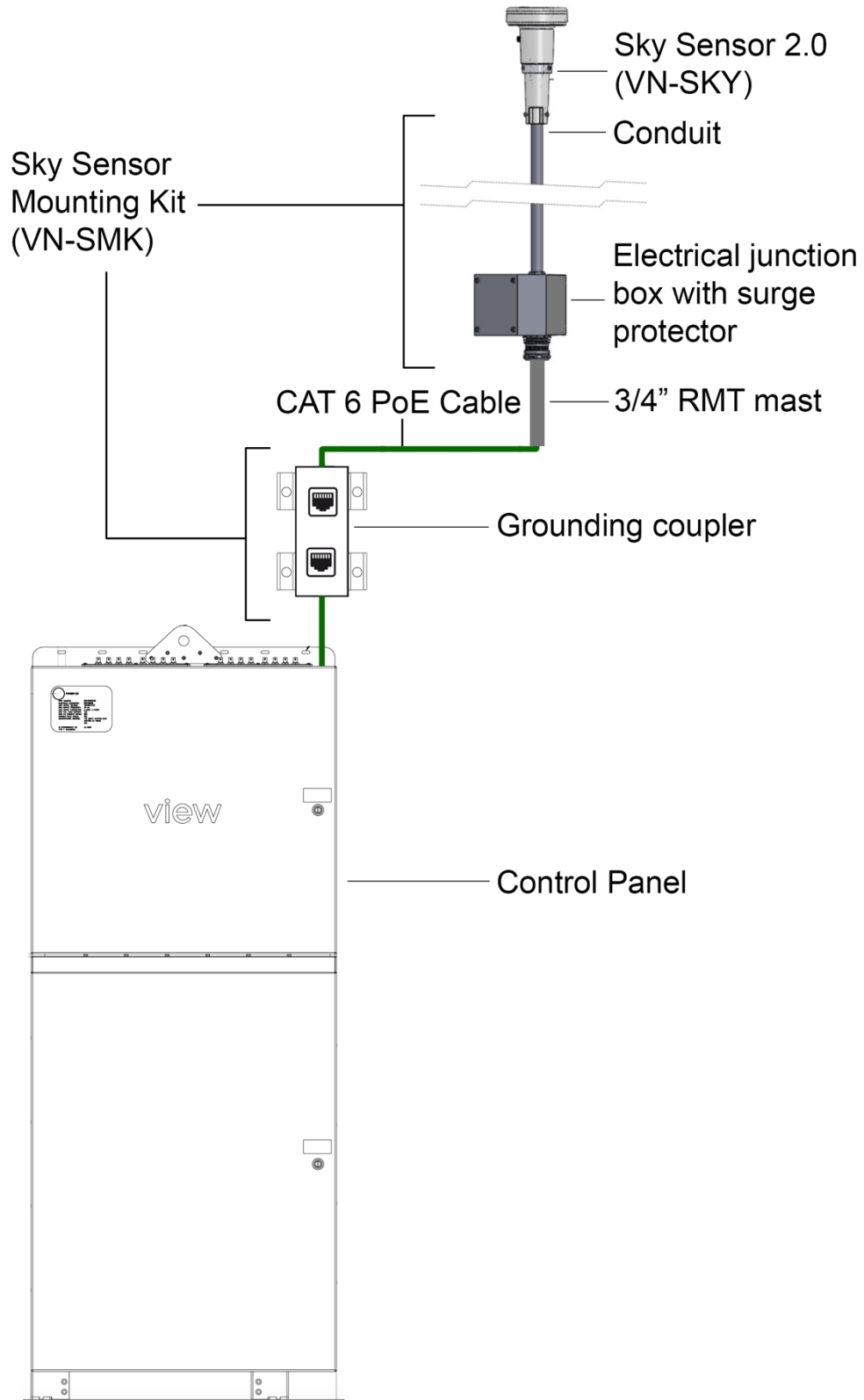
- 360-degree horizontal light-sensing coverage plus a vertical photosensor.
- Infrared conical cloud detection coverage.
- PoE-enabled (Power-over-Ethernet) to allow data and power transmission with a single cable.
- Designed with built-in pole mounting features to simplify the installation process.
- TLS authentication and message transfer
- Secure bootloader
- CSS/VIEW NET Compatible



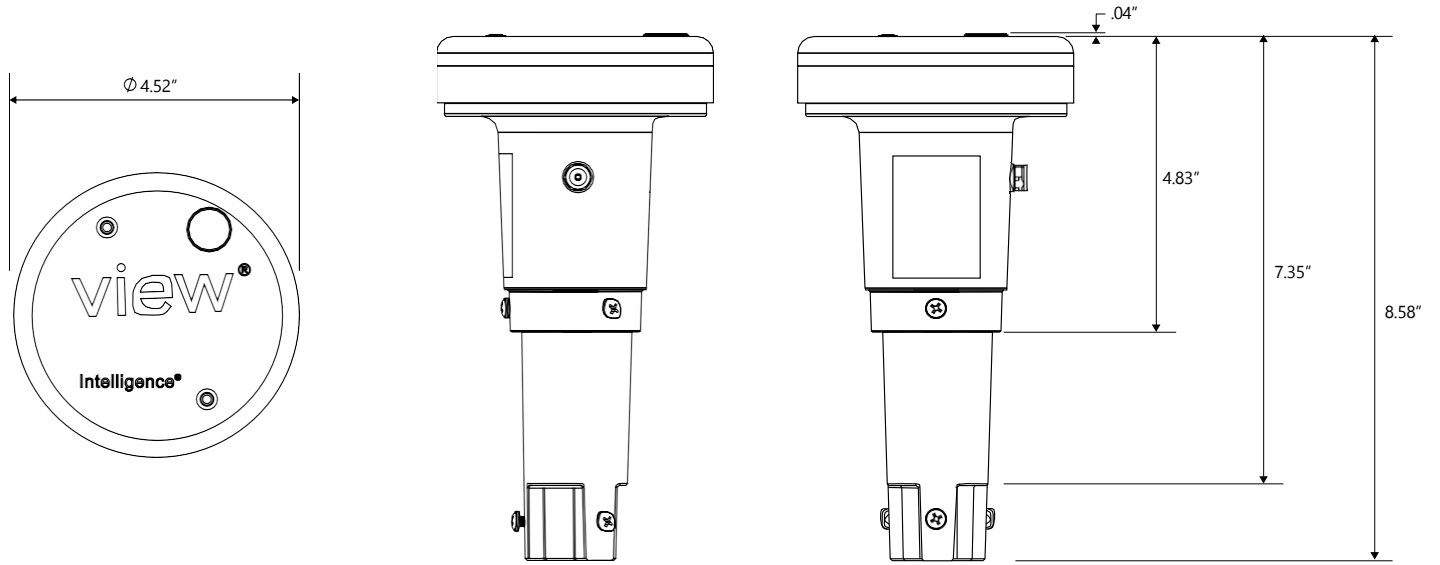
Specifications

Cable	4 ft. length of Category 5 Shielded and plenum rated Ethernet cable with ruggedized RJ45 connector attached to lower housing of Sky Sensor.
Power	PoE (Power over Ethernet) voltage requirement: Class 2, 36-57 Vdc
Sensors	<ul style="list-style-type: none"> • Photo sensors (x13) • Infrared temperature sensors (x2) • Light sensor dynamic range: 1 - 100K Lux
Network Connection	DHCP
Environmental	<ul style="list-style-type: none"> • Storage Temperature: -40°C to 85°C • Operating Temperature: -20°C to 65°C • Meets the requirements for IP67 per IEC 60529
Weight	1.08 Pounds
Mounting	Mast: 3/4" NPT RMT (Rigid Metallic Tubing) VN-SMK (Sky Sensor Mounting Kit) Separately Supplied Note: Do not use EMC/EMT.
Agency Approval	Complies with: <ul style="list-style-type: none"> • FCC Part 15 Subpart B: 2021 • ICES-003 Issue 7 • EN 55032: 2016 • AS/NZS CISPR 32: 2015 • VCCI-CISPR 32: 2016 • CNS13438: 2006 • EN 55035: 2017
Maintenance	Wipe down with a damp cloth as local conditions require.
Warranty	5 years

System Overview



Dimensions



Ordering Information

Part Number	Description
VN-SKY	Sky Sensor 2, VIEW NET
010-101894-01	Sky Sensor 2, CSS
015-102252-01	PoE Injector (systems with Control Panel x1 or x2)
330-101504	PoE Injector (systems with older Control Panel)

Related Documents

Doc Number	Description
QDM-05-000045	Sky Sensor Installation Guide