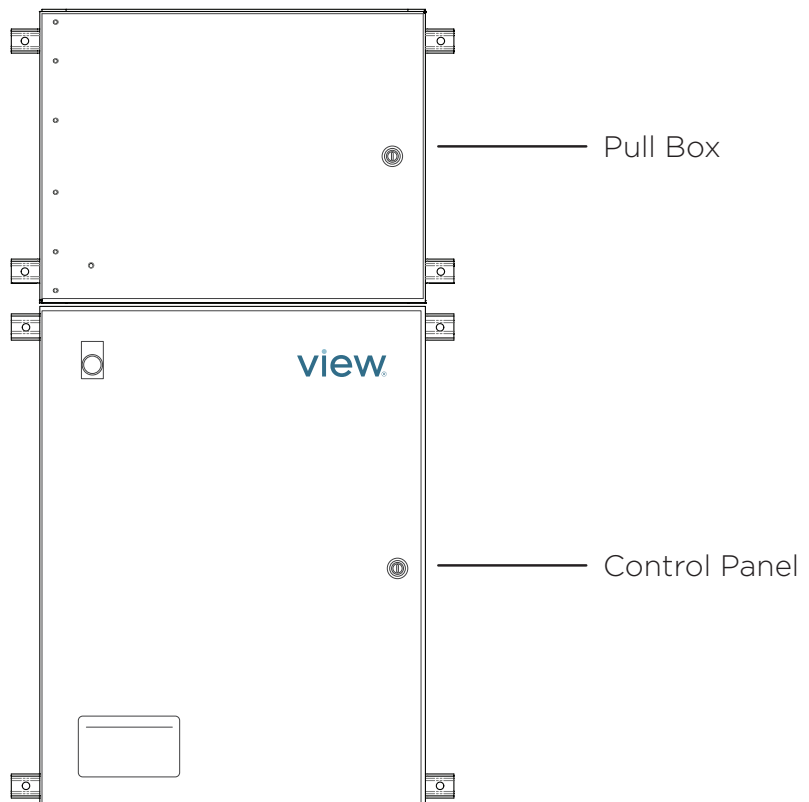
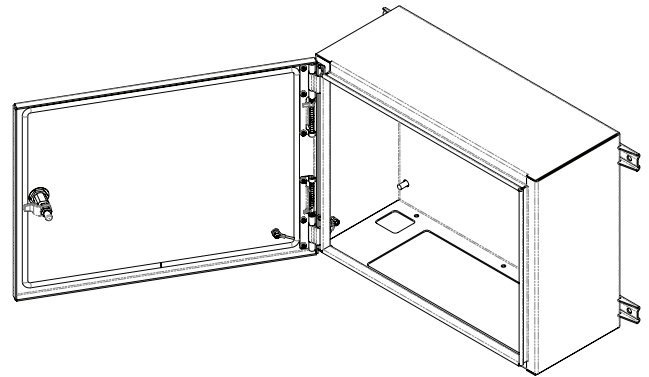


Pull Box 2.0

The View Pull Box is a single-door wall-mounted enclosure that provides a protected connection area where cables from a View 2.0 Control Panel enter a building's cable conduit system. This product is designed to attach to the top of a standard View 2.0 Control Panel enclosure with matching dimensions to ensure perfect integration.

Features

- Provides protection for exposed cables and connection points out of the top of the control panel enclosure.
- Improves the attractiveness of the overall installation.



Specifications

Housing Material	.100 thick 5052-H32 aluminum.
Finish	Clear Alodine/Paint Cardinal #WH-12 gloss white powder coat paint
Mounting	Surface mount only
Latching	Compression latch with slotted recess (option for tubular key)

Ordering Information

Part Number	010-101611
	050-101683 KEY, TUBULAR
	050-101565-02 LATCH, COMPRESSION, VISE ACTION, E3 SERIES W/ TUBULAR KEY

Dimensions

