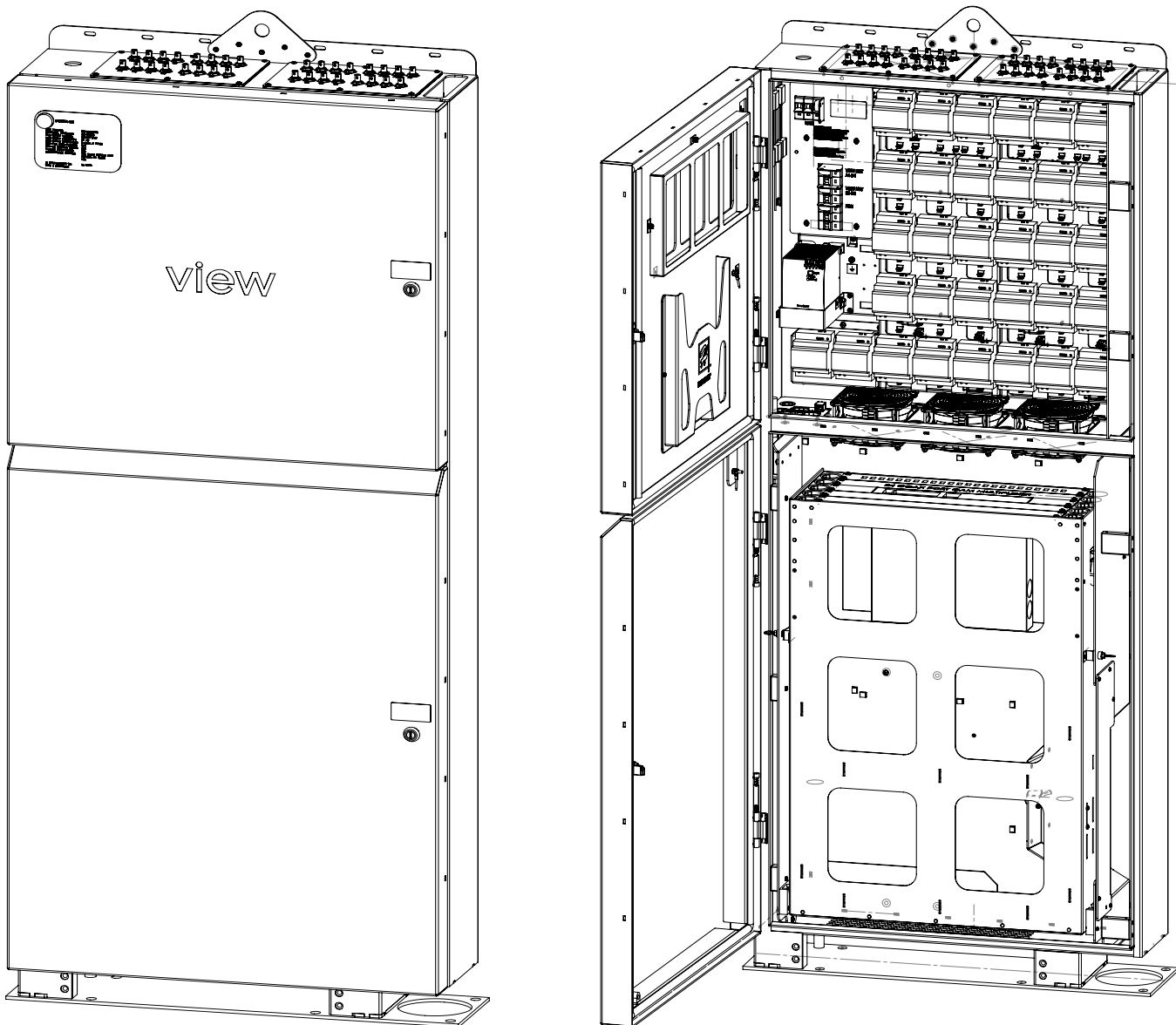


# View Net 5.5 Control Panel

The View Net Control Panel (with Class 2 outputs) houses the control components and power sources that are responsible for the operation of a View Smart Glass system. The output ports of this control panel are power limited to 48 VDC and meet the 100 VA requirements of a Class 2 classified circuit as defined by the NFPA-70 (National Electric Code).

## Features

- Packaged solution in a single floor or wall-mounted enclosure to simplify installation
- Power limited to allow Class 2 cabling for greater installation flexibility



## Ordering Information

Ordering Model Number	Number of Coax Ports	Number of Devices	Max Input Power*	Heat Load**	Input Requirements	Main Circuit Breaker Current
VN-CP-T32	32	512 <sup>1</sup>	2296 W	1332 W	100-240 V, 3-PHASE, 60 Hz, 20 A, 5-Wire	20 Amps
VN-CP-T32L	32	384 <sup>2</sup>	2296 W	1332 W	100-240 V, 3-PHASE, 60 Hz, 20 A, 5-Wire	20 Amps

<sup>1</sup> Maximum 16 devices per coax port connected to a trunk cable.

<sup>2</sup> 16 of 32 coax ports support 8 max devices, the rest support up to 16 devices.

\* Assuming 8 Network Window Controllers per Trunk at tint hold.

\*\* Assuming 8 Network Window Controllers per Trunk during tinting.

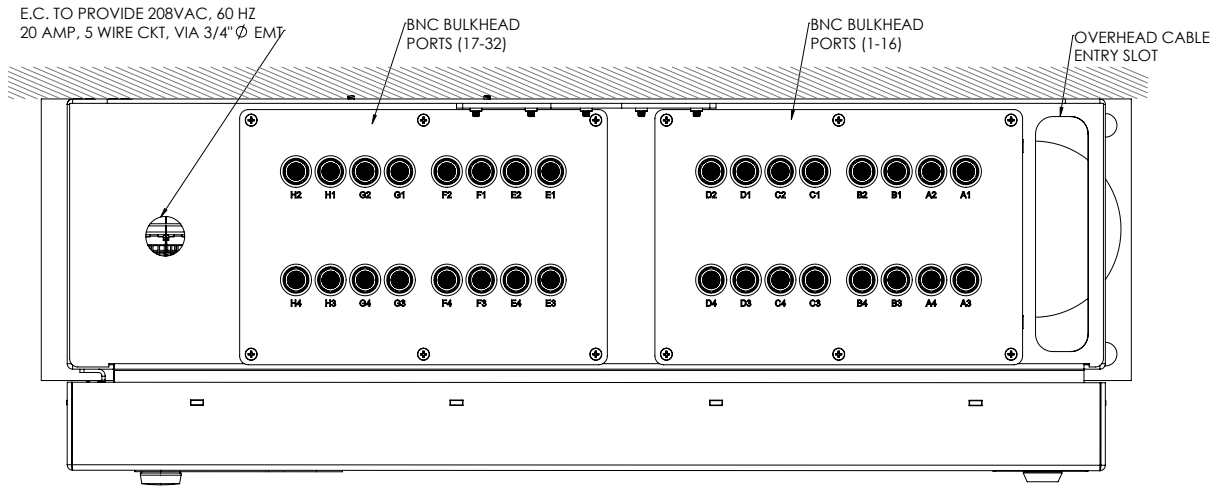
1 Watt = 3.41214 BTU/h

## Control Panel Specifications

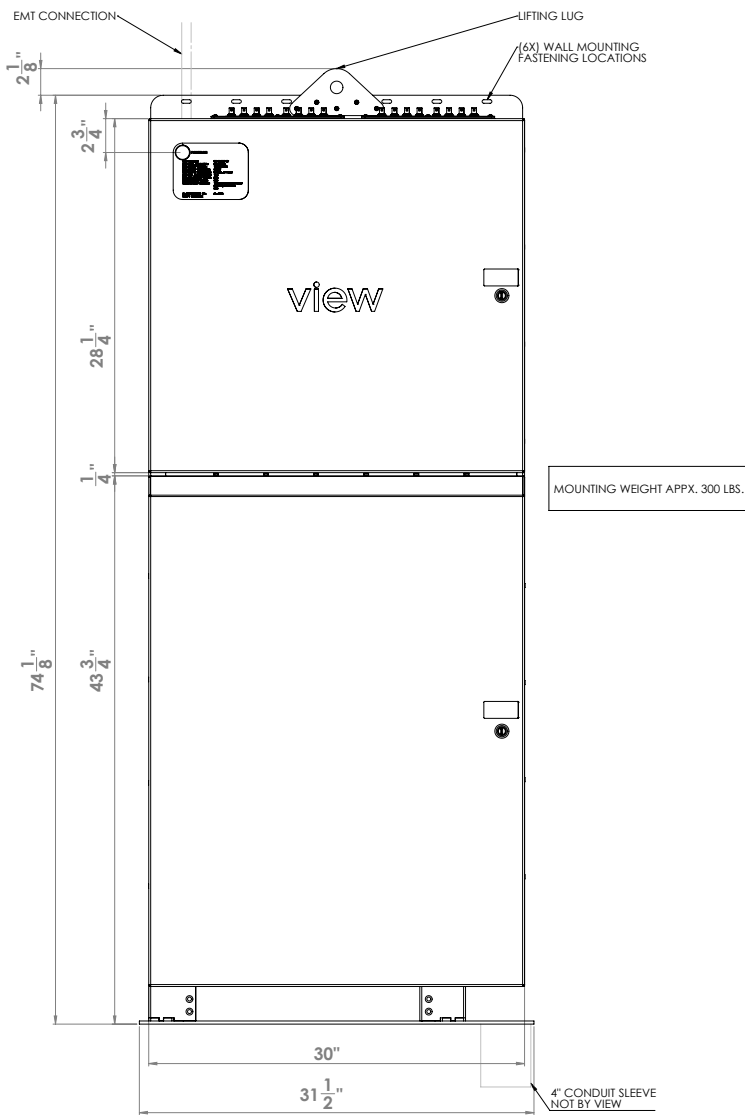
Input Power	208 V, 3-phase, 60 Hz, 20 A, 5-wire
Output Power	48 VDC @ 1.92 A available at each coax port
Estimated Heat Output	1332 W (0.38 Tons)
Enclosure	<ul style="list-style-type: none"> <li>NEMA Type 1 enclosure</li> <li>0.125" aluminum</li> <li>Dimensions: 32" (W) X 74" (H) X 11" (D)</li> </ul>
Clearance Requirements	3" clearance minimum on each side, 10" recommended.
Enclosure Finish	Powder coated PMS 432 U (Charcoal Gray)
Weight	Up to 300lbs
Mounting	Floor or wall mounted, seismic ties. Refer to installation guide.
Operating environmental conditions	<ul style="list-style-type: none"> <li>Indoor room temperature: 5°C - 40°C</li> <li>Ambient relative humidity: between 40% - 60%</li> <li>Altitude: &lt;2000 meter</li> </ul>
Latch	Compression Latch with slotted recess (option for tubular key)
Agency approvals	<ul style="list-style-type: none"> <li>UL 508A:2022 certified in United States and Canada</li> <li>Line voltage components within panel are UL listed and FCC Part 15</li> <li>Class 2 circuits utilize a listed Class 2 circuit protector or Class 2 power supplies</li> </ul>
Internal Power Distribution Unit	<ul style="list-style-type: none"> <li>12 outlets, individually monitored and switched</li> <li>Input Voltage: 100 - 240 VAC</li> <li>Rated Power: 3.84 KVA</li> </ul>

## Dimensions

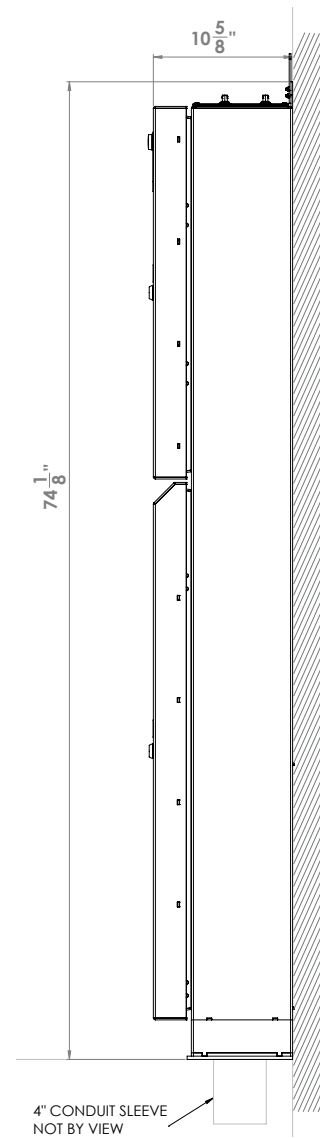
Top View



Front Side

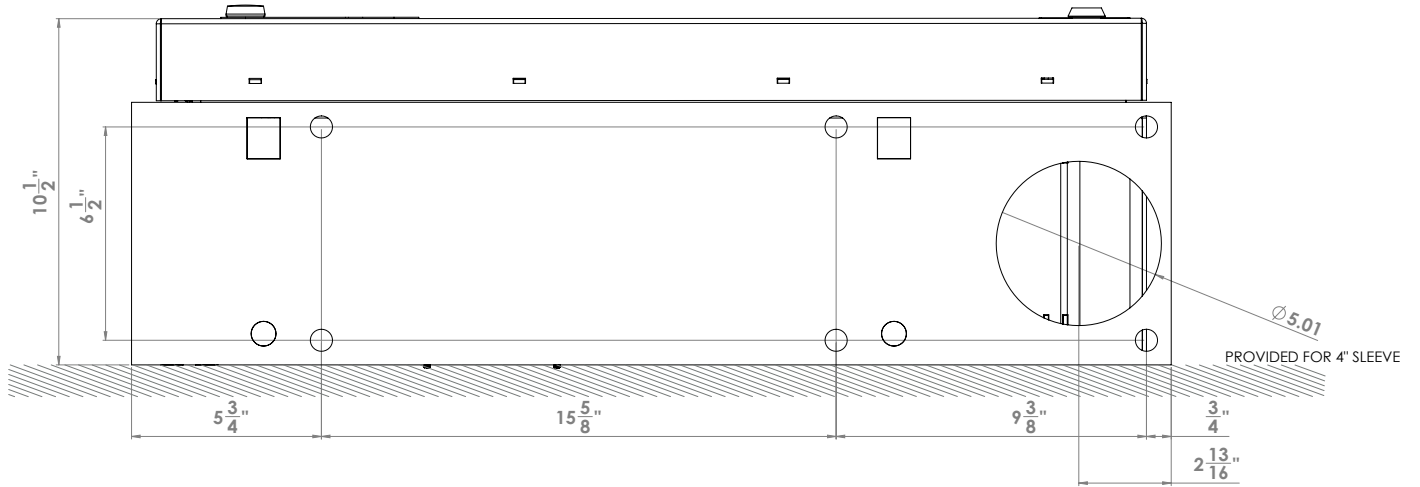


Side View

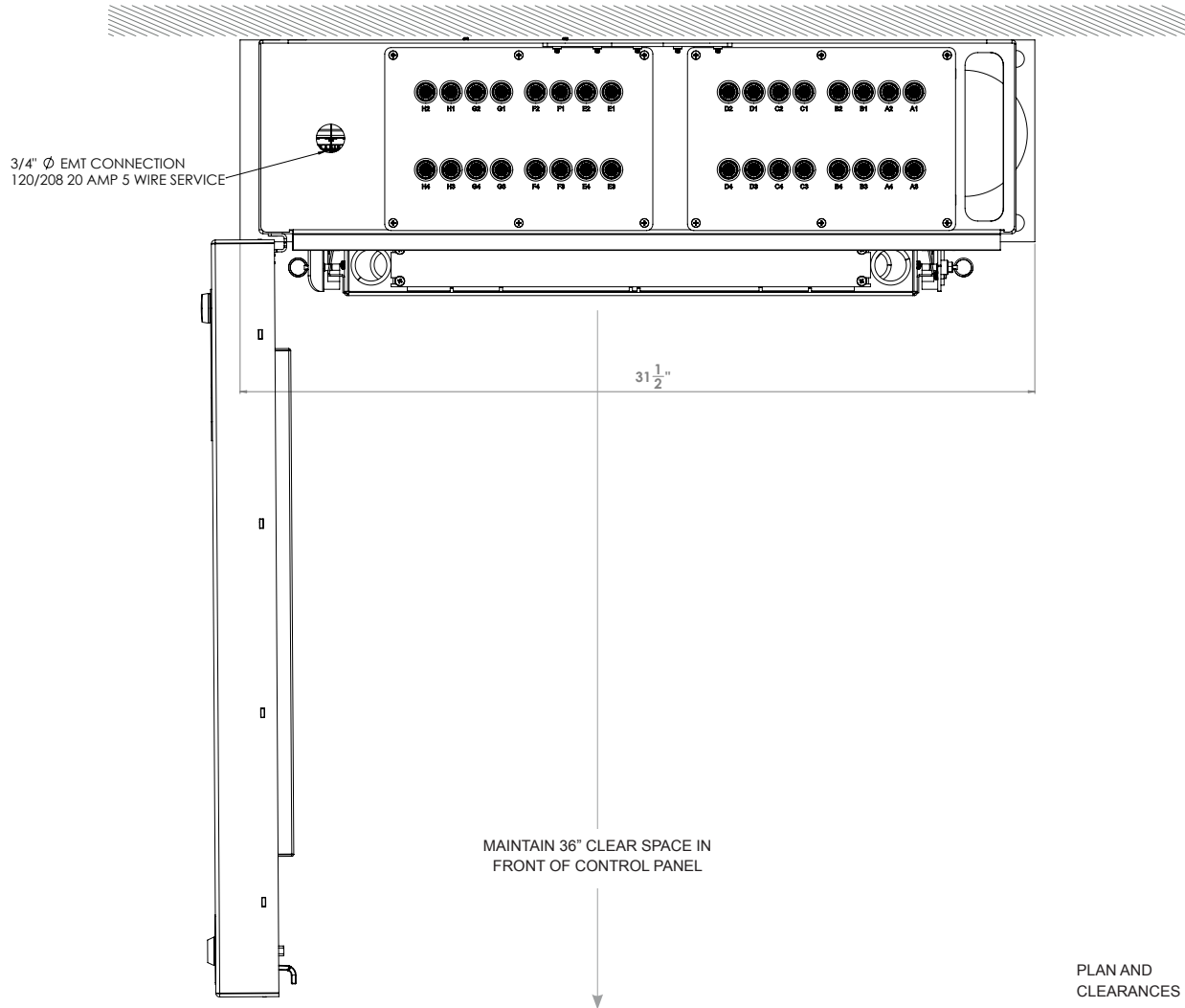


## Mounting (bottom view)

MOUNTING PATTERN FOR CP5.5 BASE PLATE (BOTTOM VIEW)



## Clearances (top view)



## Port Connectors

