

## Spring Conduit

The Spring Conduit solution provides power and control to an operable window with View Glass. The IGU cable securely traverses between the window frame and IGU while accommodating various types of hinge movements. Examples of operable window applications include Casement, tilt and turn, awning and hopper-style windows. The Spring Conduit is installed on the hinge side of the window installation.

### Features

- Simple installation in a compact form factor.
- Metal spring conduit provides cable protection and movement flexibility.
- Durable design - solution tested to 125,000 cycles.

### Requirements for Cold Weather Installation

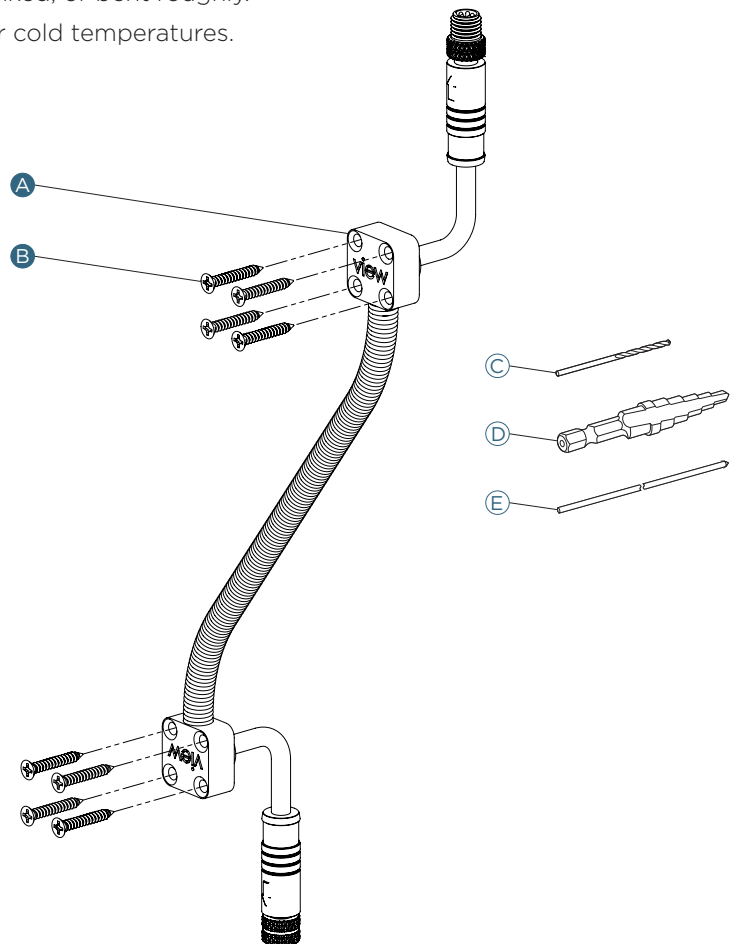
If the cable has to be installed when the temperature is below 32°F, the following precautions should be taken to ensure that the jacket does not crack:

- Store the cable in a heated area with temperatures above 50°F for 24 hours before installation.
- Cables need to be handled with care and not dropped, kinked, or bent roughly.
- Pull cables slowly, use large sheaves and lubes suitable for cold temperatures.

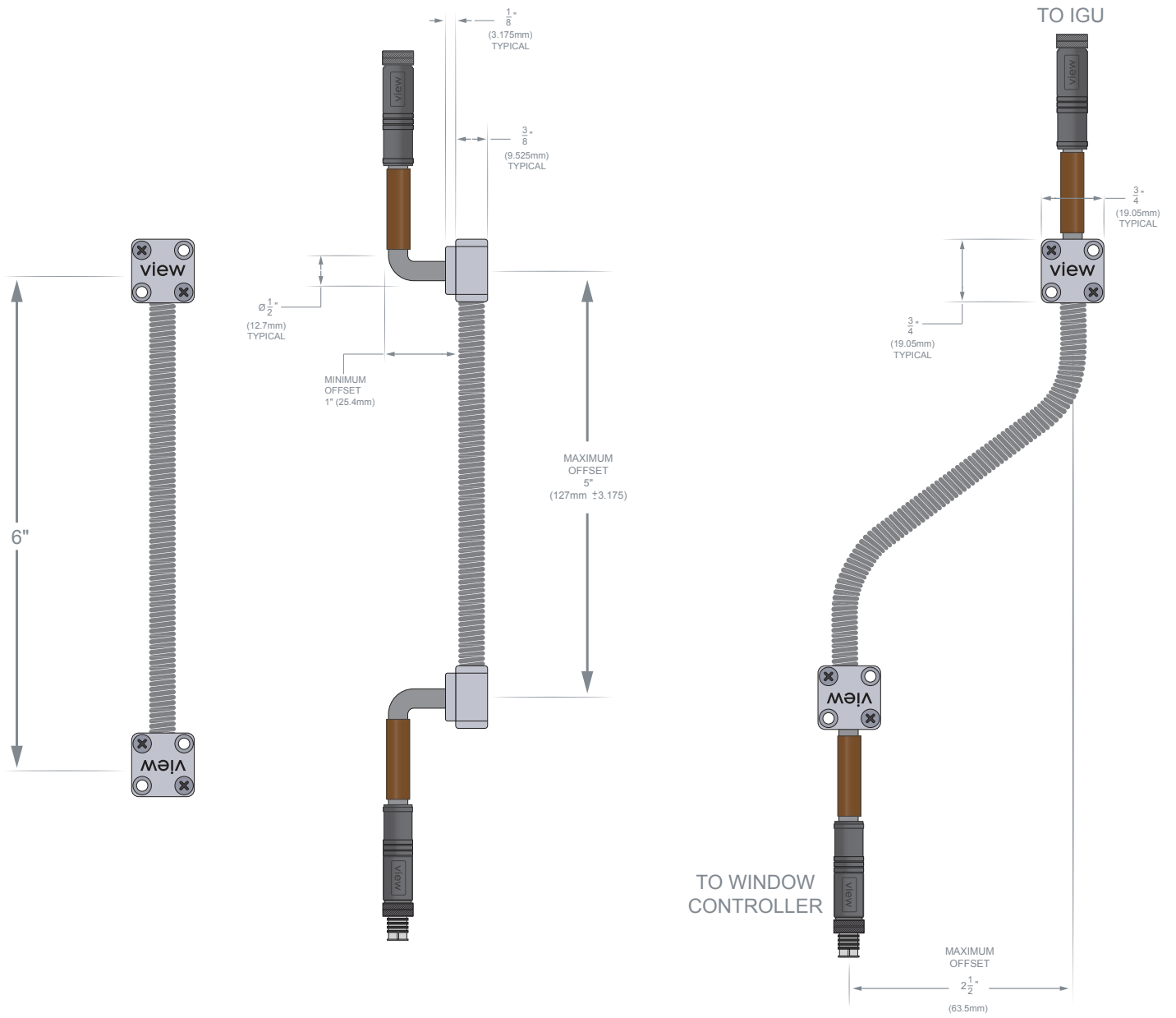
Item	Qty	Part Number	Description
A	1	390-101511	Spring Conduit
B	8	500-101116	Screw, Flat Head Phillips, Self-Tapping, 6-32 X 1.000*

\* Minimum of 2 screws per conduit base required.

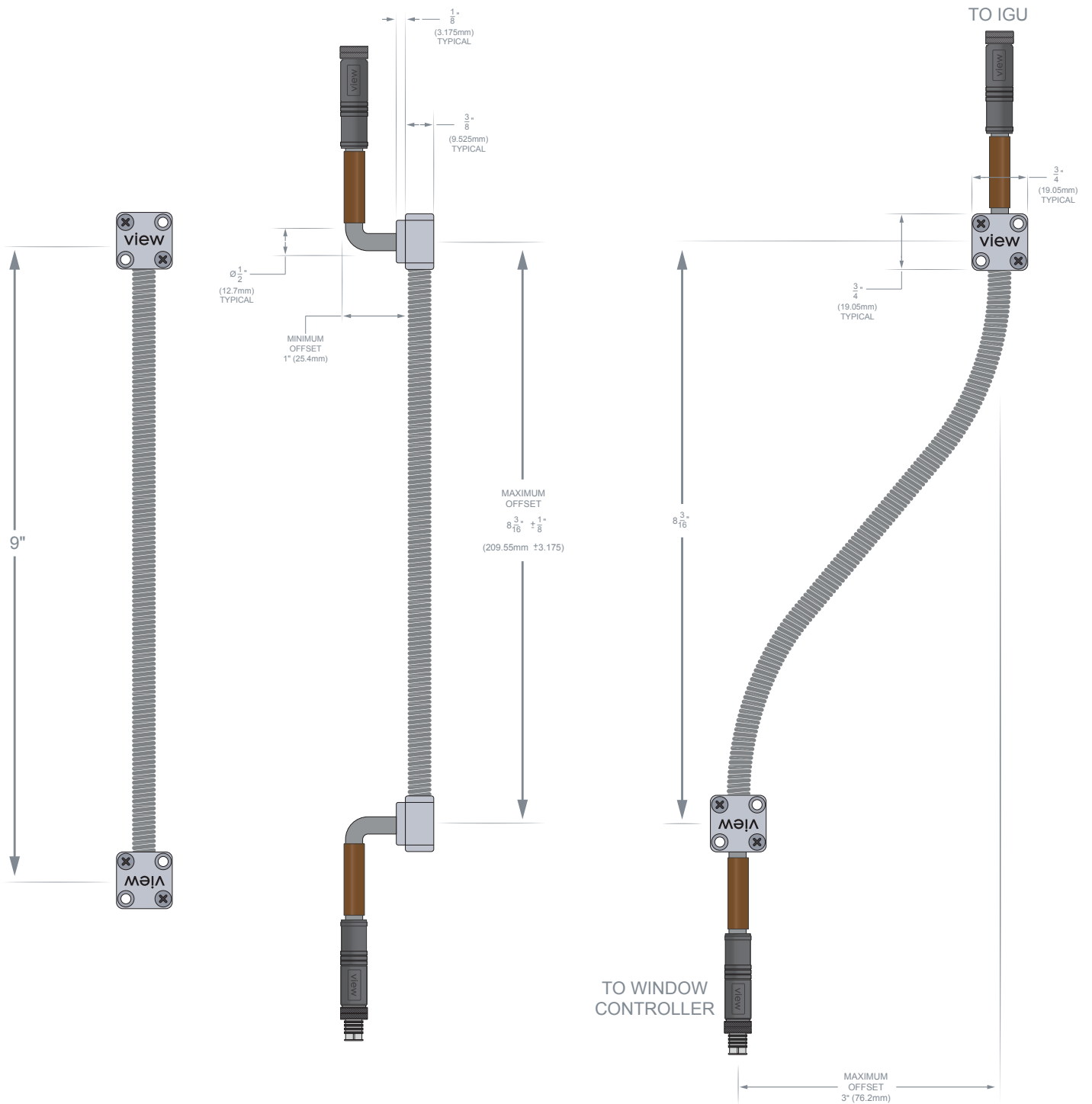
Installation Kit Parts			
C	1	050-101221	Drill Bit, #52 (1/16")
D	1	050-101500	Step Drill Bit, 3/16" - 1/2"
E	1	050-101220	Transfer Punch, #29 (0.136")



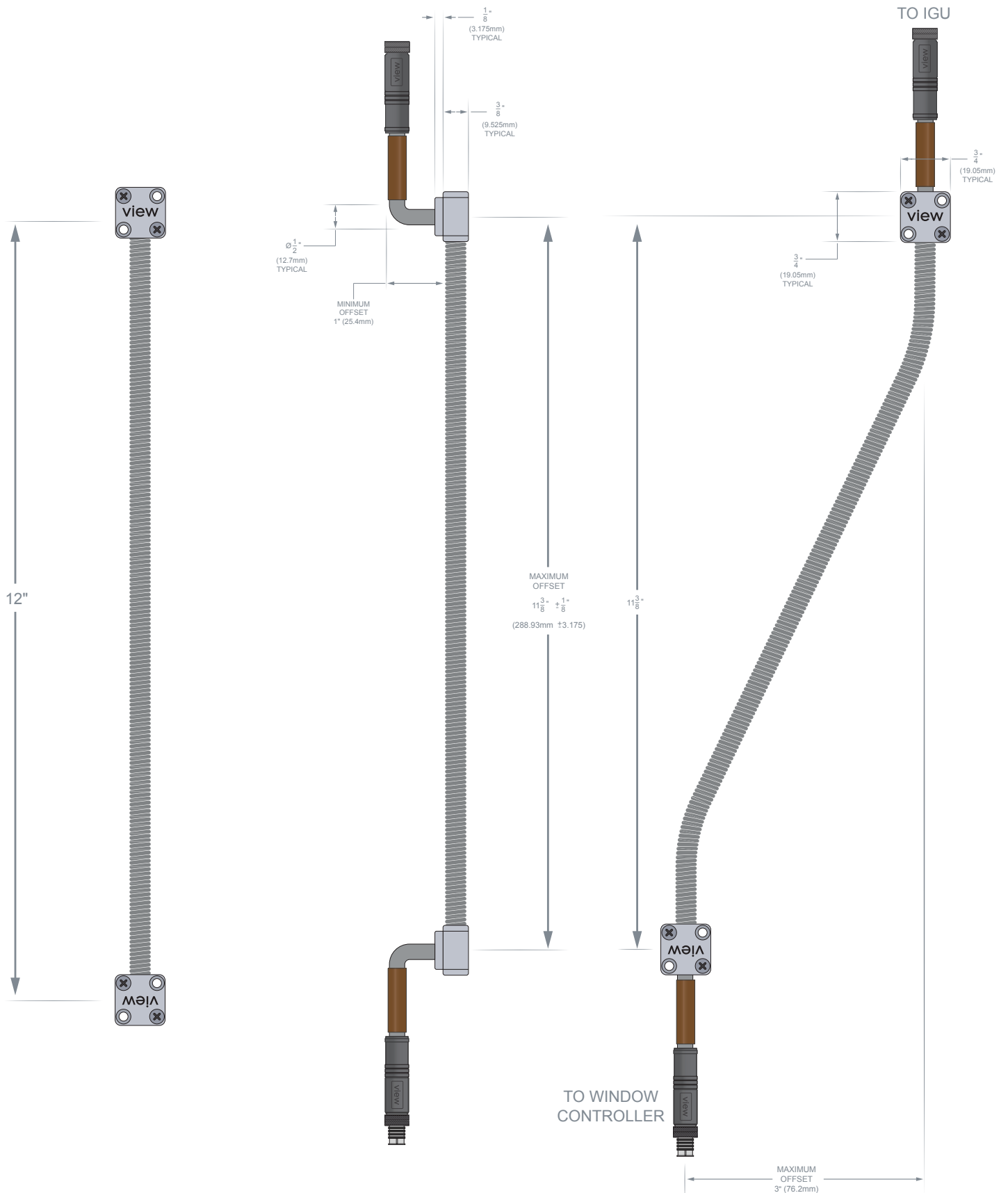
## Dimensions - 6" Spring Conduit



## Dimensions - 9" Spring Conduit



## Dimensions - 12" Spring Conduit



## Specifications

Installed Length	6 1/4 ± 1/8" (for 6" model)
Installed Depth	3/8"
Window Depth	Minimum gap space of 3/8" between window jamb and window frame
Warranty	5 year warranty
Electrical	The Spring Conduit is a low voltage product and is only for use with View IGU cables and controllers manufactured by View Dynamic Glass. This product has IP rated connectors to transfer power and communication to and from the IGU.

## Ordering Information

Part Number	Door Configuration
390-101511-01	6" Spring Conduit Assembly* - clear anodized finish
390-101511-02	6" Spring Conduit Assembly* - black anodized finish
390-101516-01	9" Spring Conduit Assembly* - clear anodized finish
390-101516-02	9" Spring Conduit Assembly* - black anodized finish
390-101515-01	12" Spring Conduit Assembly* - clear anodized finish
390-101515-02	12" Spring Conduit Assembly* - black anodized finish

\* Includes integrated IGU cable and mounting screws for metal window frames.

Installation Kit Part Number	Description
015-101376	See Installation Kit Parts List, Page 1

For installation instructions, please see the Spring Conduit Installation Guide.