

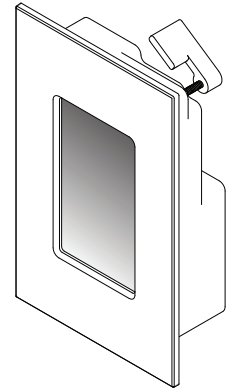
## View Wall Interface

### Description

The View Wall Interface solution is a compact, wall-mounted interface used for monitoring and changing the tint levels of View Dynamic Glass. The product leverages 802.11-based Wi-Fi technology for connectivity and an advanced user interface which provides a powerful solution with a modernized look and feel.

The View Wall Interface Kit includes one each of the following components:

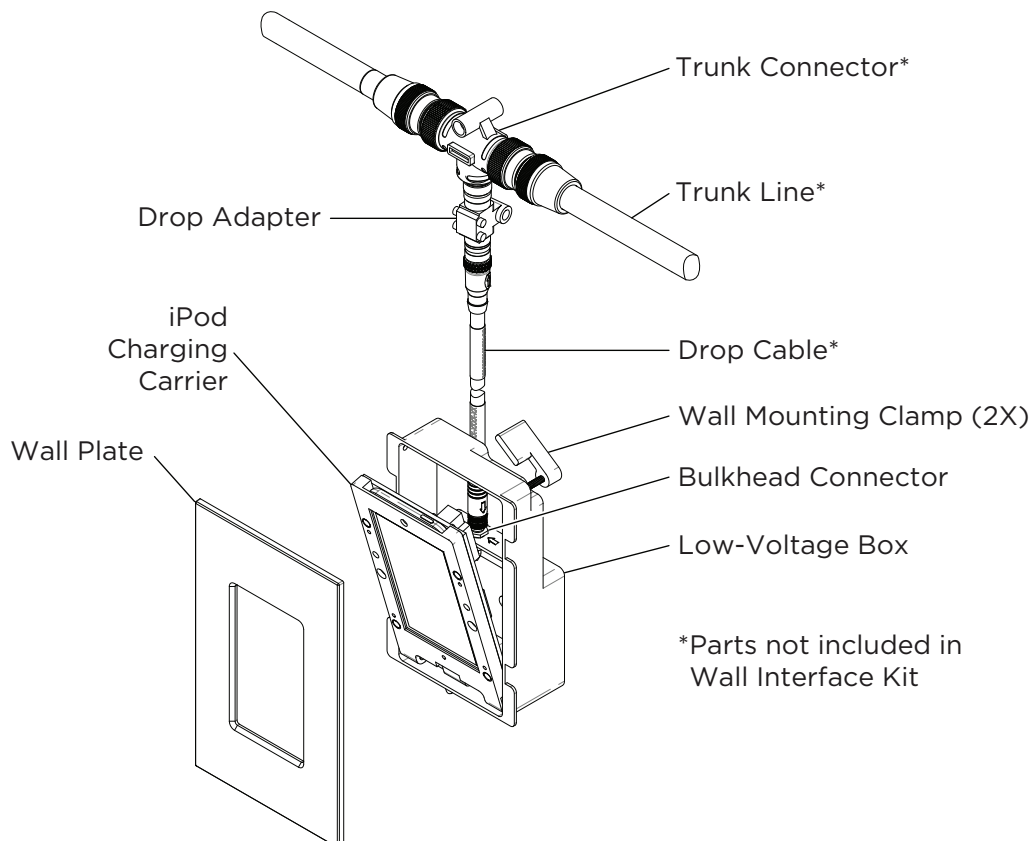
- Wall Interface Low-Voltage Box
- Wall Plate - White
- iPod Charging Carrier
- Apple iPod touch (Gen 5)
- Wall Interface Drop Adapter



### System Requirements

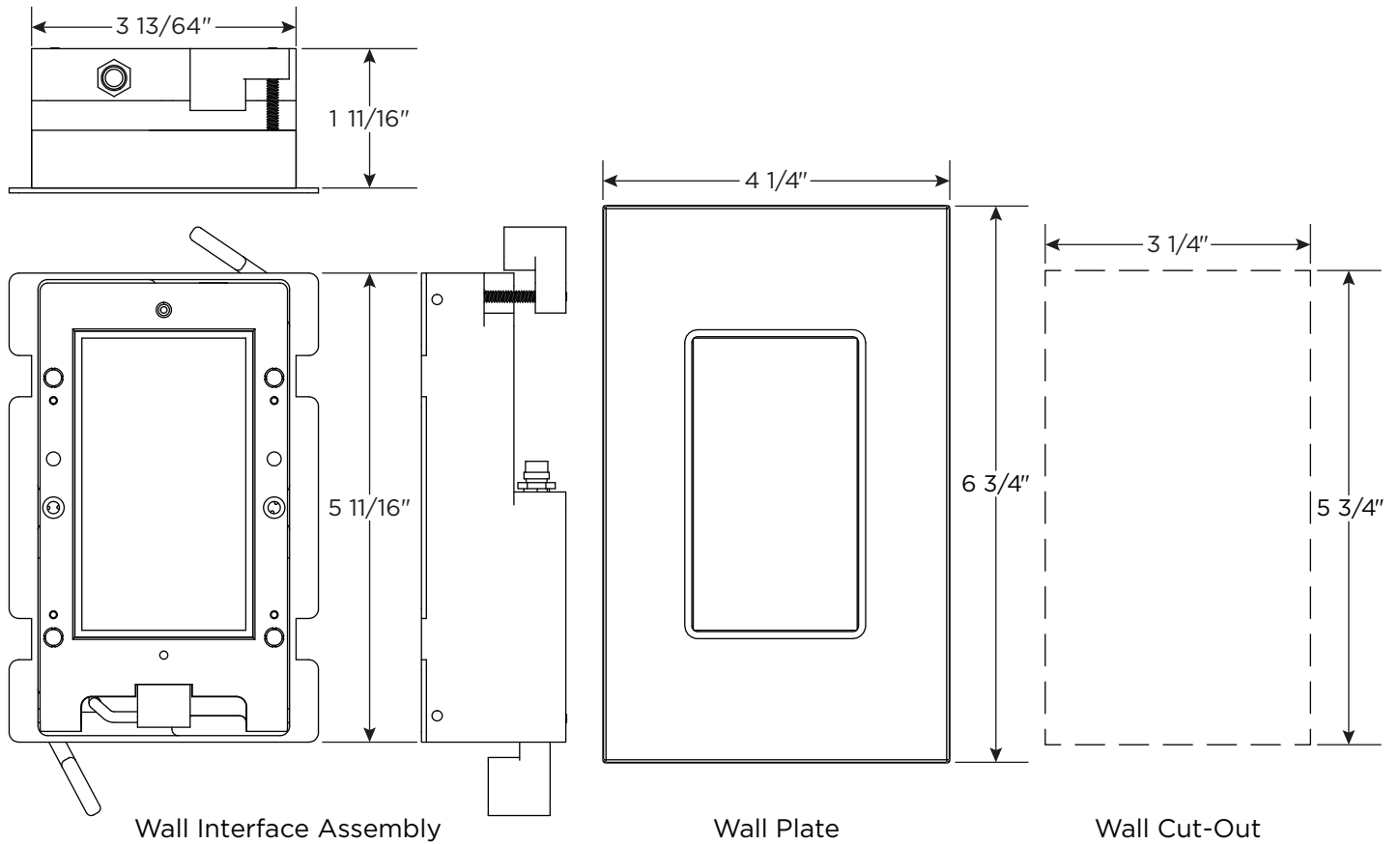
- The Wall Interface communicates with the View Glass System via Wi-Fi. Before installation, confirm availability of a Wi-Fi network with access to the View Glass System.
- The Wall Interface uses View iOS Mobile App version 1.2.7 or later. Before installation, confirm an appropriate version of the app is installed on the iPod, and test the app to verify functionality.

### Installation Overview



View Wall Interface

Dimensions



Installation Steps

Step 1: Installing the Drop Cable

Install Drop Cable to the Wall Interface as shown in the Installation Overview diagram.

- Verify the Wall Interface Drop Adapter is properly installed to the drop line.

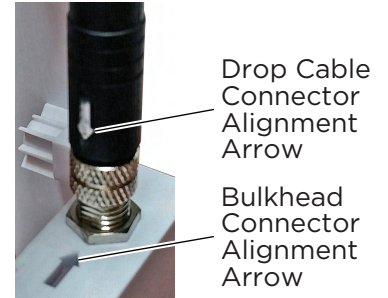
Step 2: Installing the Low-Voltage Box

1. Select the desired mounting location and cut a wall opening per dimensions shown above.
  - Use the Wall Interface Low-Voltage Box as a cut-out template.
2. Pull Drop Cable connector through the wall opening.

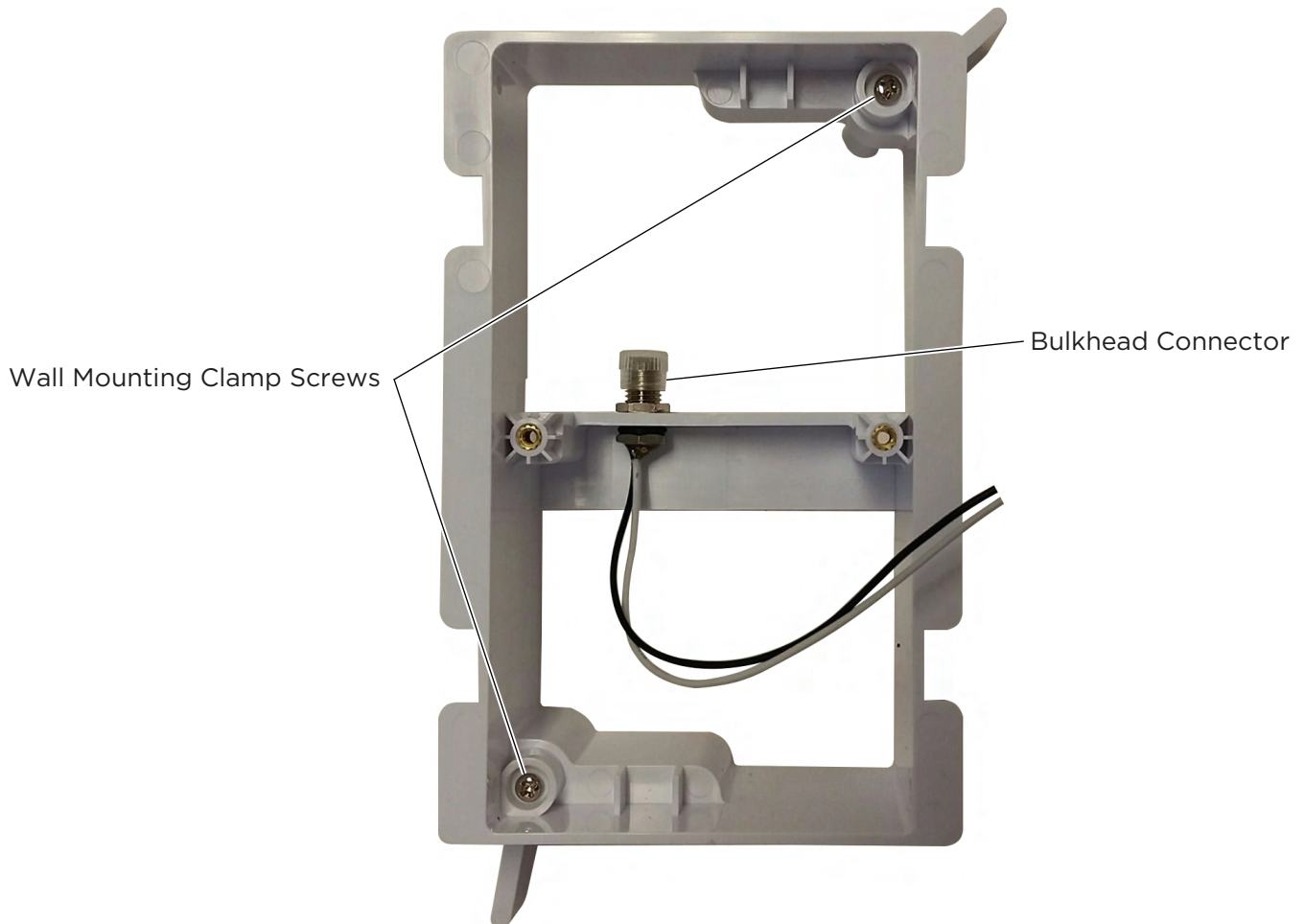
## View Wall Interface

3. Attach the Drop Cable connector to the Bulkhead connector on the back of the Low-Voltage Box.

- Use the Drop Cable connector and Bulkhead connector alignment arrows to correctly position the connectors.
- Note that the Low-Voltage Box can be installed with the Bulkhead connector oriented up or down.



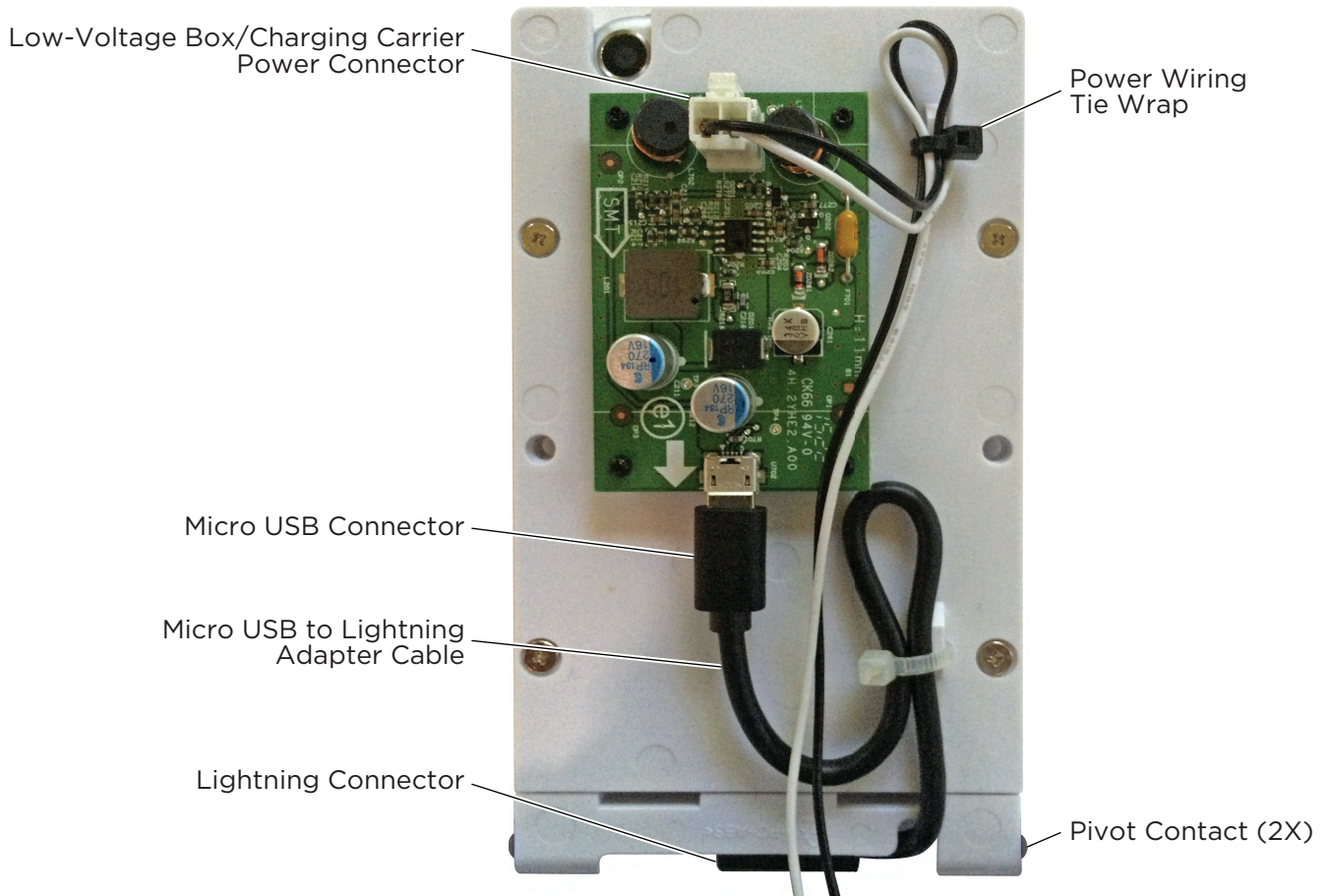
4. Push the Low-Voltage Box into wall opening, and tighten the 2 Wall Mounting Clamp screws located in the lower left and upper right interior corners of the Box to secure it to the wall.



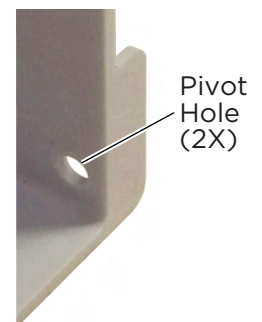
## View Wall Interface

### Step 3: Attaching the iPod Charging Carrier

1. Connect the Low-Voltage Box power wiring plug to the Charging Carrier jack as shown below.
2. Secure power wiring to the Charging Carrier base using the provided tie wrap as shown below.



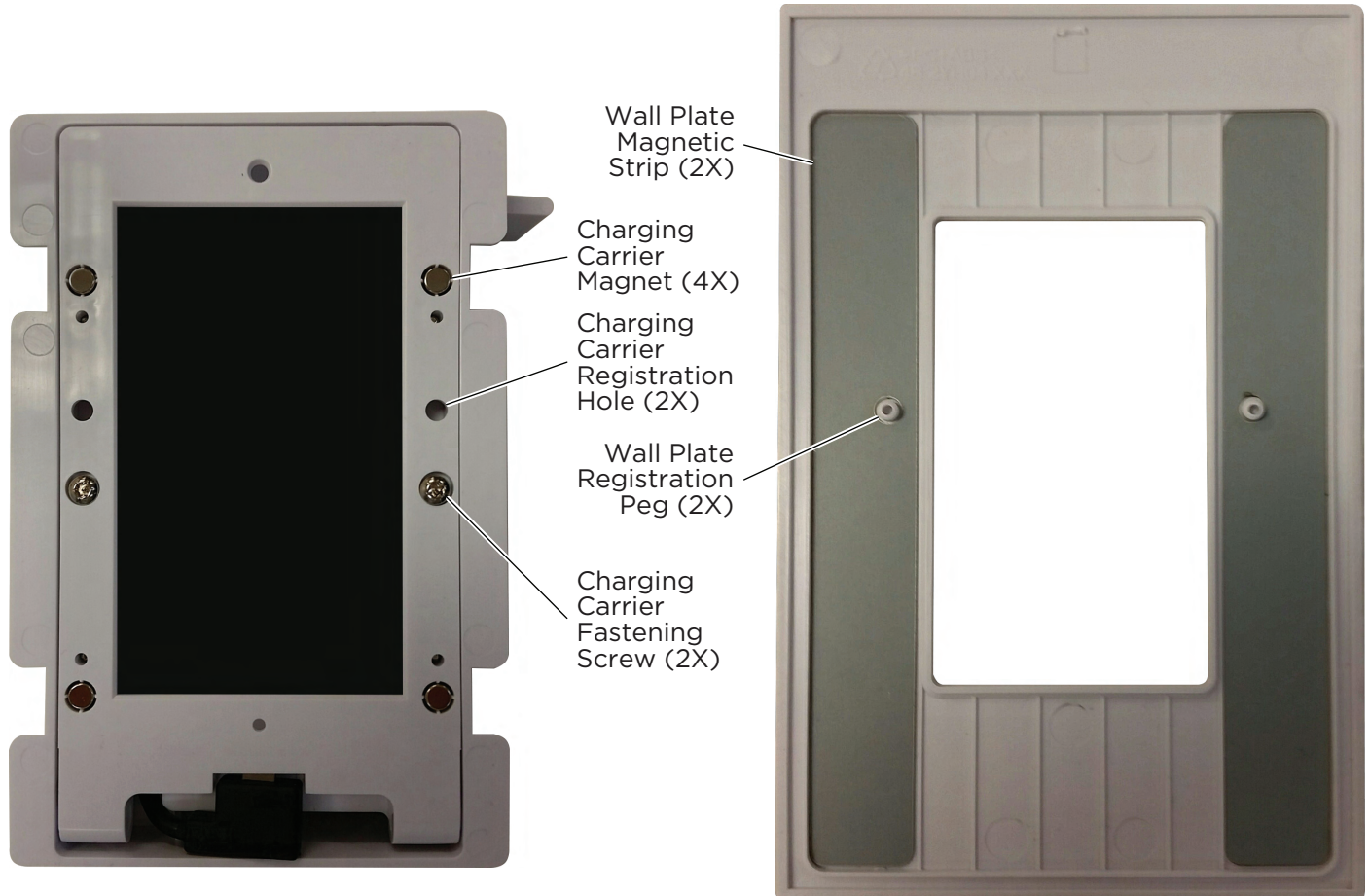
3. Fit the pivot contacts on the Charging Carrier into the pivot holes on the bottom sides of the Low-Voltage Box, with the iPod display facing outward.
4. Slide the iPod into the Charging Carrier and ensure that the Micro USB to Lightning cable connector is properly connected to the iPod.
  - If the Trunk Line is powered on, check the battery indicator in the upper-right corner of the iPod screen to verify that it is receiving power through the Lightning cable connector.



## View Wall Interface

5. Push the Charging Carrier into the Low-Voltage Box and secure it using the 2 provided fastening screws as shown below.

- When correctly installed, the Charging Carrier fits snugly inside the Low-Voltage Box.



### Step 4: Attaching the Wall Plate

Mount the Wall Plate to the Wall Interface assembly to complete the installation.

- Center the Wall Plate display opening over the iPod display and press gently to engage the Wall Plate registration pegs with the Charging Carrier registration holes.
- With the registration pegs engaged, the Wall Plate will be correctly aligned to the assembly and the Charging Carrier magnets will secure the Wall Plate in place.

**Note:** If required, apply paint to the outer surface of the Wall Plate using best practices for painting ABS plastics.