

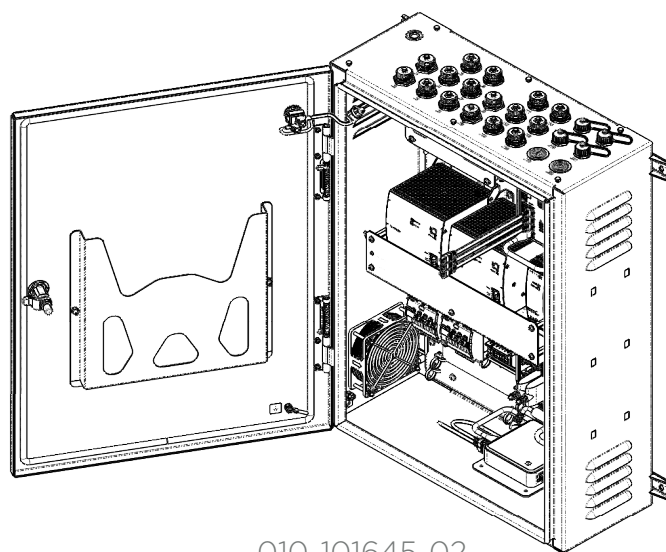
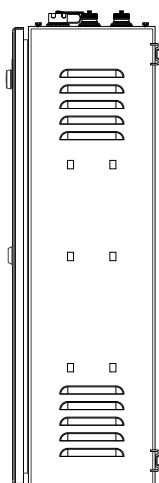
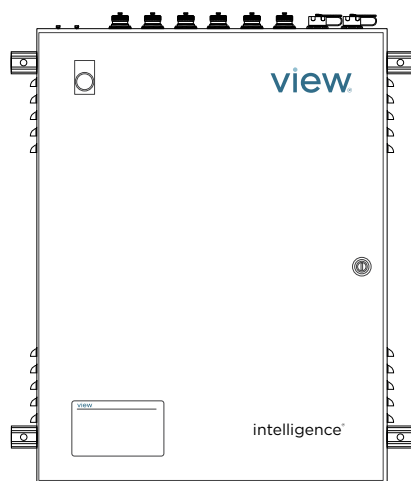
# Control Panel 3.0 (Japan)

## Product Description

The View Control Panel (with limited power system (LPS) outputs) houses the control components and power source that are responsible for the operation of a View Smart Glass system. The output ports of this control panel are power limited to 24VDC and meet the 100VA requirements of a LPS classified circuit as defined by the Low Voltage Directive (LPD) and US NFPA 70.

## Features

- Packaged solution in a single wall-mounted enclosure to simplify installation
- Power limited to allow LPS cabling for greater installation flexibility



010-101645-02

## Ordering Information

There are two options available in the LPS Control Panel portfolio. The following table shows the part numbers and the key differences between these options:

### Control Panel Configuration:

Part number	Number of trunk ports	Number of power ports	Number of window controllers supported	Max input Power	Heat Load	Input Current @ 230V
010-101645-01	2	6	128	920.3 Watts	99.6 J/s	4.0 Amps (AC)
010-101645-02	4	12	256	1,740.8 Watts	174.1 J/s	7.6 Amps (AC)

1 Watt = 1 J/s

### Optional Pull Box

This Pull Box can be used to extend the capabilities of the Control Panel:

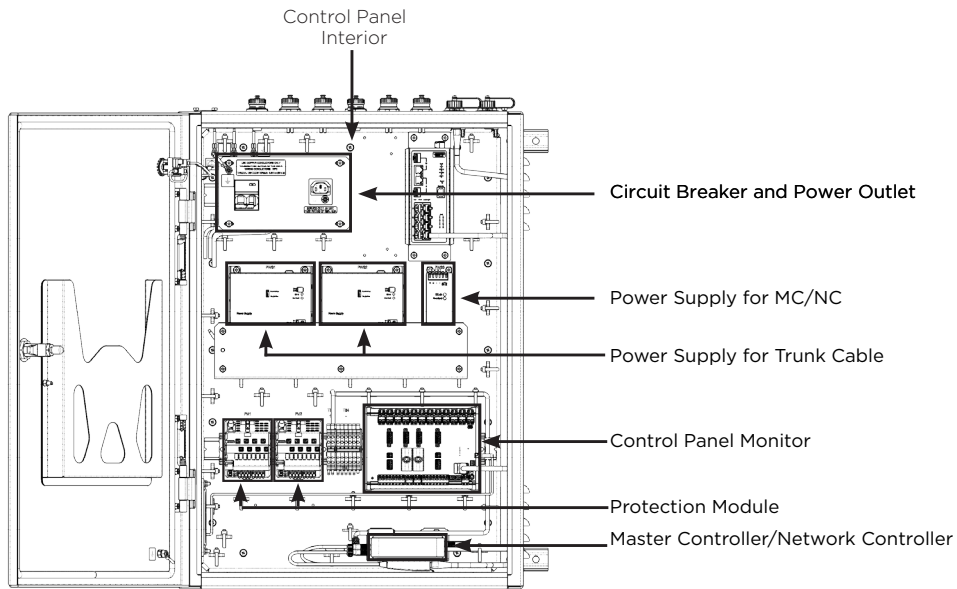
Part Number	Description
010-101611	Enclosure for protecting the cable junction points between the Control Panel and the building conduit system

## Specifications

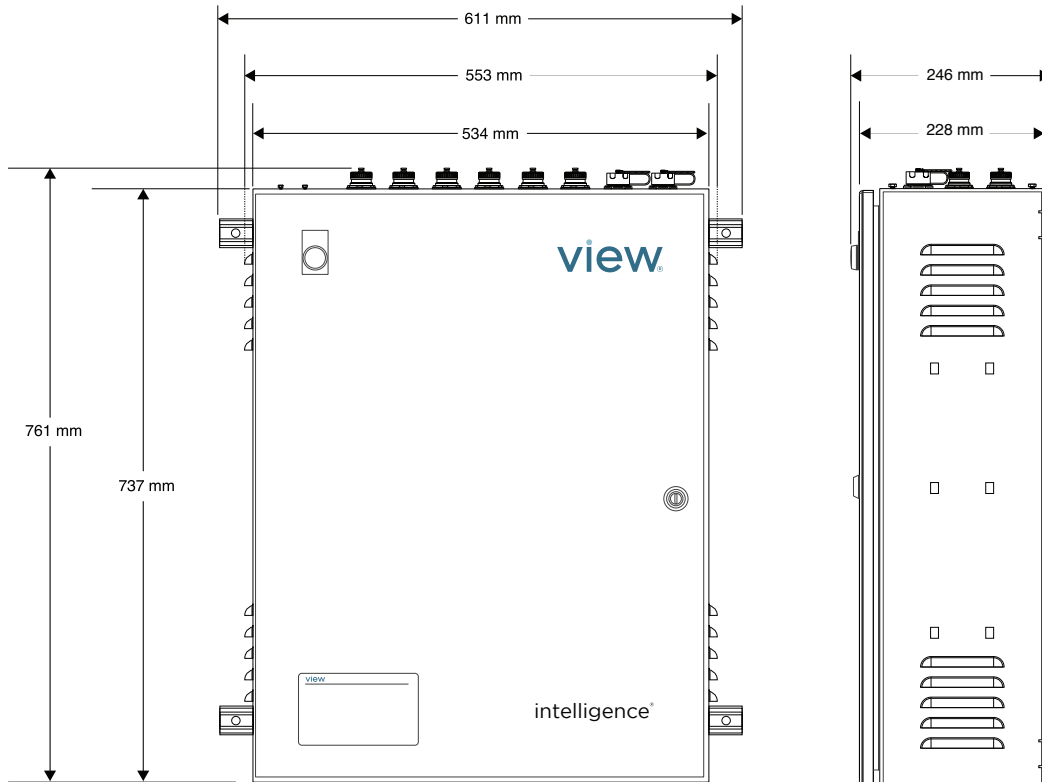
Input power	<ul style="list-style-type: none"> <li>100–200 VAC (single-phase), 50/60Hz</li> <li>Dedicated circuit with a 20-amp breaker required</li> </ul>
Output power	<ul style="list-style-type: none"> <li>24 VDC, 4A available on J1-J16</li> </ul>
Thermal Load	<ul style="list-style-type: none"> <li>173 J/s</li> </ul>
Enclosure material	<ul style="list-style-type: none"> <li>2.54mm aluminum</li> </ul>
Enclosure finish	<ul style="list-style-type: none"> <li>Painted white</li> </ul>
Mounting	<ul style="list-style-type: none"> <li>Surface mount only, refer to installation guide</li> </ul>
Operating environmental condition	<ul style="list-style-type: none"> <li>Indoor room temperature 5°C - 40°C</li> <li>Ambient relative humidity between 40% - 60%</li> <li>Altitude &lt;2000 meter</li> </ul>
Latch	<ul style="list-style-type: none"> <li>Compression Latch with slotted recess (option for tubular key)</li> </ul>
Harmonized Product, test, classification standard	<ul style="list-style-type: none"> <li>CP 2.0 is UL certified in U.S and Canada</li> <li>Requires branch circuit protection (UL 489) for circuit feeding control panel (per NEC Article 409.21 A-1)</li> <li>Line voltage components within panel are UL listed</li> <li>Class 2 circuits utilize a listed Class 2 circuit protector</li> </ul>
Weight	<ul style="list-style-type: none"> <li>NEMA 1 rated enclosure</li> <li>010-101645-01: Shipping Weight: 31kg Product Weight: 23 kg</li> <li>010-101645-02: Shipping Weight: 36 kg Product Weight: 27 kg</li> </ul>

## Control Panel Layout

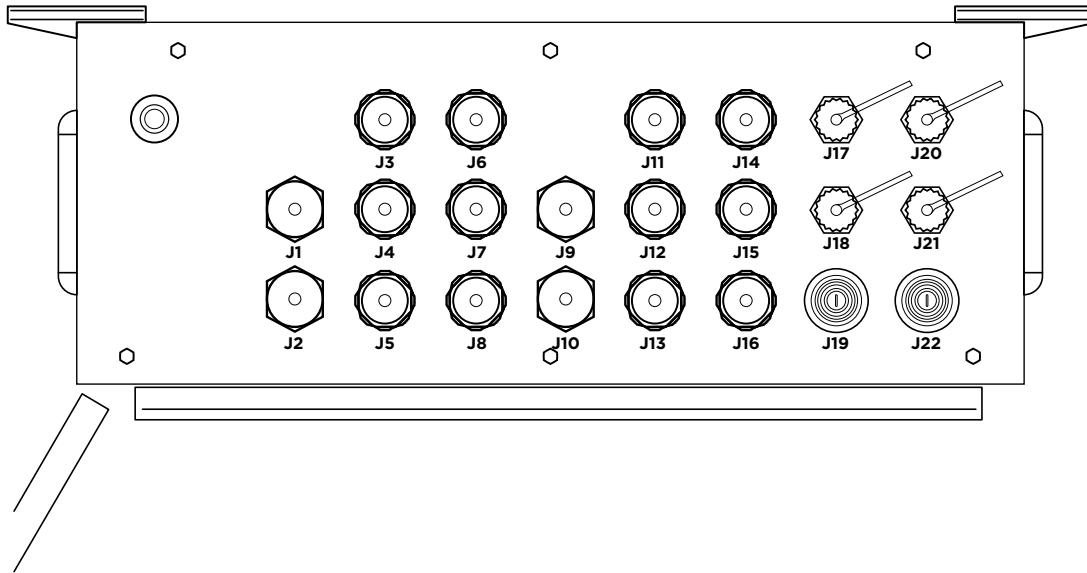
CP 010-101645-02 supports up to 256 window controllers



## Dimensions



## Port Connectors Information



Port	Description	Connector Type
J1*	View network TRUNK connector	7/8" 5-pin round connector
J2*	View network TRUNK connector	7/8" 5-pin round connector
J3*	View network POWER connector	7/8" 4-pin round connector
J4*	View network POWER connector	7/8" 4-pin round connector
J5*	View network POWER connector	7/8" 4-pin round connector
J6*	View network POWER connector	7/8" 4-pin round connector
J7*	View network POWER connector	7/8" 4-pin round connector
J8*	View network POWER connector	7/8" 4-pin round connector
J9	View network TRUNK connector	7/8" 5-pin round connector
J10	View network TRUNK connector	7/8" 5-pin round connector
J11	View network POWER connector	7/8" 4-pin round connector
J12	View network POWER connector	7/8" 4-pin round connector
J13	View network POWER connector	7/8" 4-pin round connector
J14	View network POWER connector	7/8" 4-pin round connector
J15	View network POWER connector	7/8" 4-pin round connector
J16	View network POWER connector	7/8" 4-pin round connector
J17	Customer Network	RJ45
J18	View Private Network	RJ45
J19	View Private Network, Optical Fiber	Knockout plug or LC optical bulkhead
J20	View Private Network	RJ45
J21	View Private Network	RJ45
J22	View Private Network, Optical Fiber	Knockout plug or LC optical bulkhead

Connectors with an \* are only populated in version -02 of the control panel and are otherwise concealed by hole plugs.